



CNX 722FV Series 22mm Ruggedized LED FlexVolt™ Panel Mount Indicator

CNX 722FV Series with built-in LED FlexVolt™ technology offers fast, easy installation in harsh environments

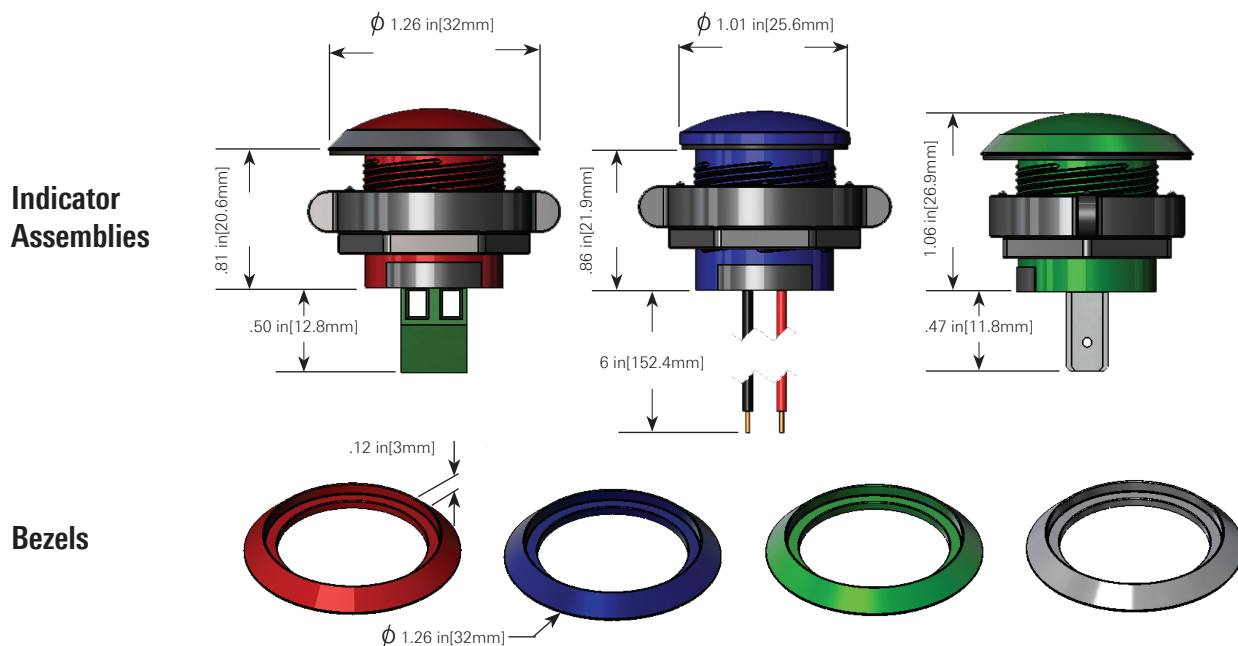
Applications

- control cabinets
- instrument panels
- disinfection and sterilization environments
- transportation dashboards
- switch stations
- safety applications
- outdoor signage
- aircraft and military
- industrial machinery
- vending and gaming machines

Key features

- designed for extreme harsh and outdoor environments
- variety of connection options for fast, easy installation
- built-in LED can be used with 5 to 28 volt DC circuits
- fast pitch threads ease assembly, requiring only 1 turn
- special nut assembles by finger, or with 1" hex tool
- direct sunlight visibility
- wide viewing angle
- resistant to shock and vibration
- custom LEDs and lens colors available
- optional bezel available in many colors
- moisture sealed, IP67/NEMA 6P rated
- RoHS compliant

Product dimensions



Product specifications

LED output	
LED color**	typ intensity, mcd
red	1300-1900
green	700-1400
white	1300-1700
blue	200-280
yellow	80-200

Materials	
body	polycarbonate, UL 94-V2
retaining nut	PBT/glass filled, UL 94-V0
wire	22 AWG 1007/1569
moisture seal	EPDM
bezel- plastic	ABS, UL 94-HB
bezel- metal	aluminum alloy

Installation specification	
mounting hole	.855-.910" (21.7-23.1mm)
panel thickness	Up to .300" (7.6mm)

Operating parameters	
operating temperature	-40°F (-40°C) to 176°F (80°C)
current	20mA

Ordering data

CNX 722FV 22mm indicator
ordering code (example)

CNX 722 C X00 FV X

Body Type	
X=	material
C	colored*

*Body color to match
LED color

LED Color	
X00=	color
200	red
400	yellow
500	green
600	blue
900	white

Termination Style	
X=	termination style
B	screw block
T	quick disconnect/ terminals
W	wire leads

*Optional bezel: BZL 722-X

Bezel size = 22mm

*Sold Separately

Bezel Color	
X=	color
0	black
2	red
4	yellow
5	green
6	blue
9	white
A	actual aluminum
B	brushed aluminum
C	chrome